



CERTIFICAAT

INSTALLATIECONTROLE

| | | |
|--------------------------|-----------------|-------------------------------|
| Machine-identificatienr. | C 0174 / 804203 | |
| Machinetype | 30RA026-C9HZD | Serienummer : 07ALI04534 |
| T.b.v. koeling van | water | |
| Installateur | | |
| Leverancier | | |
| Koudemiddeltype | R407C | Aantal koudemiddelcircuits: 1 |
| | circuit A | |
| | 5,5 | |
| Bedrijfsvulling | | kg |
| Max.werkdruk HD-zijde | 2900 | kPa |
| Max.werkdruk LD-zijde | 1400 | kPa |
| Hoogste druk/temperatuur | 2500/60 | kPa/°C |
| Laagste druk/temperatuur | 366/6 | kPa/°C |

De volgende documenten/certificaten zijn aanwezig:

| | |
|---|------------|
| Instructiekaart | Bijgevoegd |
| Kenplaat(en) op machine en machinekamer | Bijgevoegd |

Certificaten:

| | |
|----------------------------|------------|
| Drukbeproeving of kenplaat | Bijgevoegd |
| Lekdichtheid | Bijgevoegd |

| | |
|---------------------------|------------|
| Inbedrijfstellingsrapport | Bijgevoegd |
|---------------------------|------------|

| | |
|--------------------------|-----------------|
| Controle uitgevoerd door | (Steknr. C0174) |
|--------------------------|-----------------|

Carrier BV
Postbus 151

Tel.:

| | |
|--------------------------------------|-----------------------|
| Werkvoorschriftnummer : WI-SER-03-06 | Rapportnummer: 610508 |
|--------------------------------------|-----------------------|

Ondergetekende verklaart de installatiecontrole te hebben uitgevoerd conform het werkvoorschrift en dat de installatie voldoet aan het in dit voorschrift gestelde per opleveringsdatum.

Datum 14 maart 2001

| | |
|-----------|---------------------|
| Technicus | Namens installateur |
|-----------|---------------------|

| | |
|----------------|------|
| Naam technicus | Naam |
|----------------|------|

Handtekening



VOORBEELD INSTRUCTIEKAART

LAAT DEZE KAART ALTIJD BIJ DE MACHINE

MACHINE-IDENTIFICATIENR.: C 0174 / 804203

Machinetype : 30RA026-C9HZD

Serienummer : 07ALI04534

Gebruiker : *[faint]*

Contactpersoon :

Telefoonnummer :

Installateur : *[faint]*

Adres : *[faint]*

Postcode/plaats : *[faint]*

Tel.nr. "storing" :

Faxnummer :

Koudemiddel : R407C

Bedrijfsvulling : circuit A

Machinenr.

804203 5,5 kg

STARTEN koelmachine

1. Na een langdurige spanningsonderbreking dient de carterverwarming minimaal 24 uur ingeschakeld te zijn geweest voordat de machine gestart mag worden.
2. Start koel- en gekoeldwaterpomp(en) en/of verdamperventilatoren.
3. Zet de "on/off"schakelaar op "on".

STOPPEN koelmachine

1. Zet de "on/off"- en/of de hoofdschakelaar op "off"/uit-stand.

Voor uitgebreide instructies zie brochure: ONDERHOUD- en BEDIENINGSINSTRUCTIE



Air-Cooled Liquid Chillers with Integrated Hydronic Module

PRO-DIALOG PLUS



AQUASNAP



Carrier is participating in the Eurovent Certification Programme. Products are as listed in the Eurovent Directory of Certified Products.



30RA 017-033

Nominal cooling capacity 18-32 kW

This new generation of liquid chillers features the latest technological innovations, incorporating scroll compressors and operating on the ecological refrigerant HFC-407C.

The 30RA chillers from Carrier have an integrated hydronic module, with pump and expansion tank, limiting the installation to simple operations like connection of the power supply and the water supply and return piping.

An auto-adaptive control system ensures intelligent control of the compressor start-up sequence.

Features

- Refrigerant R-407C is a blend of R-32, R-125 and R-134a, ensures similar performances to those achieved with R-22 and offers an economical solution to environmental protection problems. It has no effect on the ozone layer and can be used as a replacement for R-22 in air conditioning applications with small and medium capacities.
- The components of these units are specifically designed for R-407C refrigerant, and all units have been submitted to the necessary laboratory tests to ensure perfect operation.
- The unit incorporates two axial fans with horizontal air discharge. The advanced design allows exceptionally low-noise operation.
- Compact unit dimensions facilitate installation of these units in restricted spaces.
- Prepainted steel panels.
- Removable panels for improved service and easier access to all components.
- The condenser coils are constructed of high-quality copper tube, expanded into pre-treated aluminium fins to offer high corrosion resistance in industrial and marine environments.
- The refrigerant-to-water heat exchangers are plate heat exchangers, ensuring excellent heat transfer at reduced dimensions and low weight. The plates are made of welded stainless steel. This heat exchanger type requires only minimum refrigerant quantities, compared with traditional heat exchangers.
- The scroll compressors run very quietly and vibration-free. They are known for their durability and reliability. The motor is fully cooled by suction gas and permits up to 12 starts per hour. The advanced concept of the scroll allows reverse rotation due to incorrect wiring, without impairing the operation of the compressor. These compressors are especially designed for operation with R-407C.
- The hydronic module is factory-installed. This eliminates the need to install the necessary components on site, making the unit more compact and easy to install.

Water fill system:

- Spherical check valve
- Pressure reduction valve
- Safety valve

Hydronic kit

- Flow switch
- Suction pressure gauge
- Expansion tank
- Spherical shutoff valve
- Filter
- Pressure pump
- Spherical control valve
- Discharge pressure gauge
- Automatic purge.

PRO-DIALOG Plus control

PRO-DIALOG Plus is an advanced numeric control system that combines complex intelligence with great operating simplicity. PRO-DIALOG Plus constantly monitors all machine parameters and safety devices, and precisely manages the operation of compressor and fans for optimum energy efficiency. It also controls the operation of the water pump.

A powerful control system

- The PID control algorithm with permanent compensation for the difference between entering and leaving water temperature anticipates load variations, and ensures intelligent leaving water temperature control.
- Reset of the leaving water temperature set point (according to the outdoor air temperature or the return water temperature).
- PRO-DIALOG Plus control is auto-adaptive for improved chiller protection. Compressor cycling is automatically adapted to the characteristics of the application according to the inertia of the water loop and prevents dangerous compressor short cycling.

Clear and easy-to-use control system

- The operator interface is clear and user-friendly: LEDs and numeric displays ensure immediate verification of the unit operating data.
- A simple push of the button positioned on the synoptic chiller diagram gives you immediate display of the usual parameters: temperatures, pressures, set point, compressor run times etc.
- 10 menus offer direct access to all machine controls, including fault history, for rapid fault diagnosis.

Extended communications capabilities

- PRO-DIALOG Plus offers a standard wired remote control with multiple functions for easy integration into any building management system: on/off control, cooling/heating mode selection, power demand limit or dual set point and a general alarm indication.
- The optional CCN Clockboard offers enhanced control possibilities:
Time scheduling of the unit with up to eight sequences, cascade operation of two units, remote control by communication bus through its RS 485 serial port, time scheduling for low-speed fan operation.

Options/accessories

| | Option | Accessory |
|---------------------------|--------|-----------|
| Unit without neutral | x | |
| 220-3-50 power supply | x | |
| Unit without hydronic kit | x | |
| Water fill system | x | x |
| Coil protection grille | x | x |

Physical data

| | | 017 | 021 | 026 | 033 |
|--|-----|--|-------|-------|-------|
| 30RA | | | | | |
| Net cooling capacity* | kW | 17.70 | 21.60 | 25.80 | 31.70 |
| Operating weight with hydronic module | kg | 220 | 240 | 280 | 315 |
| Operating weight without hydronic module | kg | 200 | 220 | 250 | 285 |
| Refrigerant charge R407C | kg | 4.80 | 5.13 | 6.41 | 7.70 |
| Compressor | | One scroll compressor | | | |
| Evaporator | | One plate heat exchanger | | | |
| Net water volume | l | 1.50 | 1.88 | 2.16 | 2.82 |
| Water connections (MPT gas) | in | 1 | 1 | 1-1/4 | 1-1/4 |
| Maximum water pressure | kPa | 1000 | 1000 | 1000 | 1000 |
| Hydraulic circuit | | One single-speed, 230-1-50 | | | |
| Pump | | One single-speed, 230-1-50 | | | |
| Available pressure** | kPa | 138 | 126 | 150 | 138 |
| Water inlet connections | in | 1-1/4 | 1-1/4 | 1-1/4 | 1-1/4 |
| Water outlet connections | in | 1 | 1 | 1-1/4 | 1-1/4 |
| Expansion tank water volume | l | 8 | 8 | 8 | 8 |
| Water fill system (option) | | One single-speed, 230-1-50 | | | |
| Inlet/outlet diameter | in | 1/2 | 1/2 | 1/2 | 1/2 |
| Condenser | | One, copper tubes and pre-treated aluminium fins | | | |
| Tube diameter | in | 3/8 | 3/8 | 3/8 | 3/8 |
| No. of rows | | 2 | 3 | 2 | 3 |
| Tubes/row | | 52 | 52 | 60 | 60 |
| Fin spacing | mm | 1.81 | 1.81 | 1.81 | 1.81 |
| Fan | | Two propeller fans | | | |
| Diameter | mm | 500 | 500 | 610 | 610 |
| No. of blades | | 5 | 5 | 5 | 5 |
| Air flow | l/s | 2450 | 2222 | 3278 | 3000 |
| Fan speed | r/s | 12.83 | 12.91 | 11.05 | 10.95 |

* Based on an outdoor entering air temperature of 35°C, an evaporator entering water temperature of 12°C and an evaporator leaving water temperature of 7°C.

** At nominal air flow

Electrical data

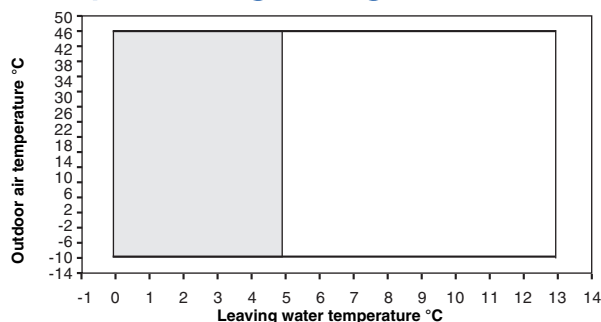
| | | 017 | 021 | 026 | 033 |
|---------------------------|---------|----------|-------|-------|-------|
| 30RA | | | | | |
| Power supply | V-ph-Hz | 400-3-50 | | | |
| Voltage range | V | 360-440 | | | |
| Nominal power input | kW | 6.43 | 8.57 | 9.56 | 12.39 |
| Effective power input** | kW | 6.54 | 8.72 | 9.75 | 12.60 |
| Nominal current drawn* | A | 10.75 | 15.50 | 18.80 | 24.55 |
| Effective current drawn** | A | 10.95 | 15.75 | 19.10 | 24.95 |
| Max. power input | kW | 7.87 | 10.80 | 12.23 | 14.95 |
| Maximum current drawn*** | A | 13.50 | 20.00 | 22.50 | 28.00 |
| Starting current | A | 87 | 132 | 134 | 139 |
| Pump power input | kW | 0.65 | 0.68 | 0.89 | 0.93 |

* Based on an outdoor entering air temperature of 35°C, an evaporator entering water temperature of 12°C and an evaporator leaving water temperature of 7°C.

** Eurovent standard

*** Based on an outdoor entering air temperature of 46°C and an evaporator leaving water temperature of 10°C.

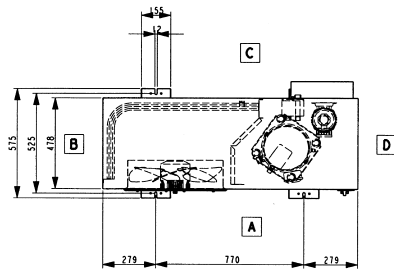
Operating range - 30RA units



Operating range with anti-freeze solution and with special configuration of the Pro-dialog control system

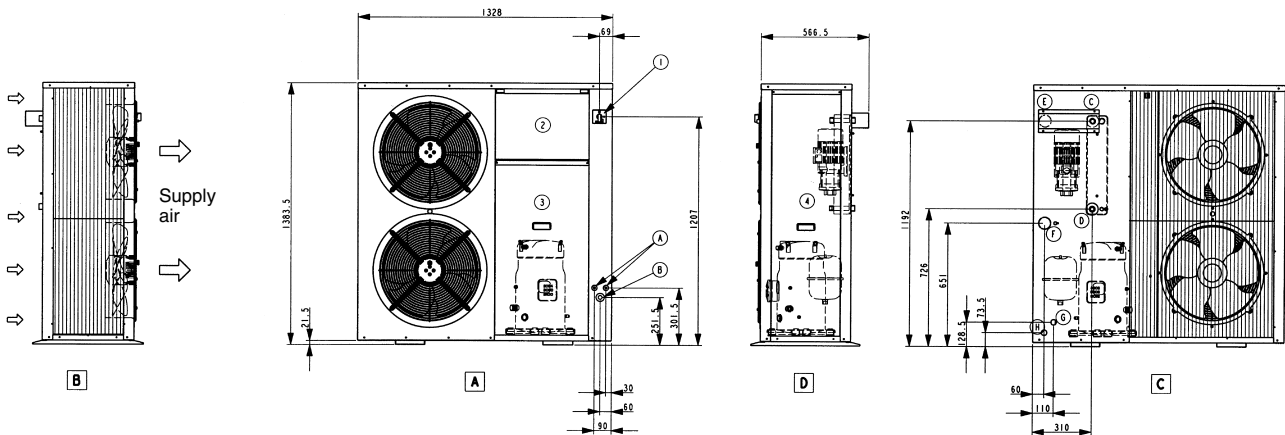
Dimensions, mm

30RA 017-021 standard unit

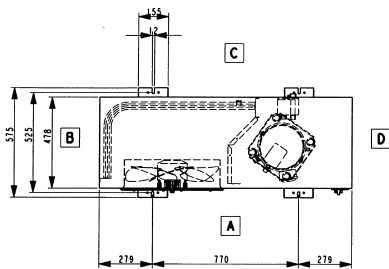


1. On-off switch
2. Control box access panel
3. Compressor access panel
4. Side access panel

- A Control wiring \varnothing 10/14
 B Power wiring \varnothing 20/26
 C Water inlet evaporator 1" gas male
 D Water outlet evaporator 1" gas male
 E Water pump connection
 F Water inlet hydronic module 1-1/4" gas male
 G Safety valve 1/2" gas male (option)
 H Fill system 1/2" gas male (option)

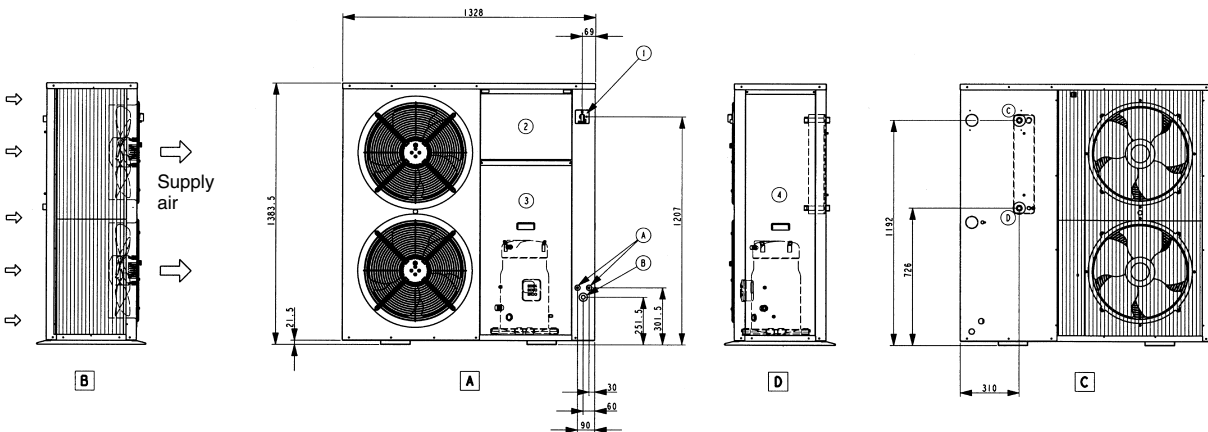


30RA 017-021 unit without hydronic kit

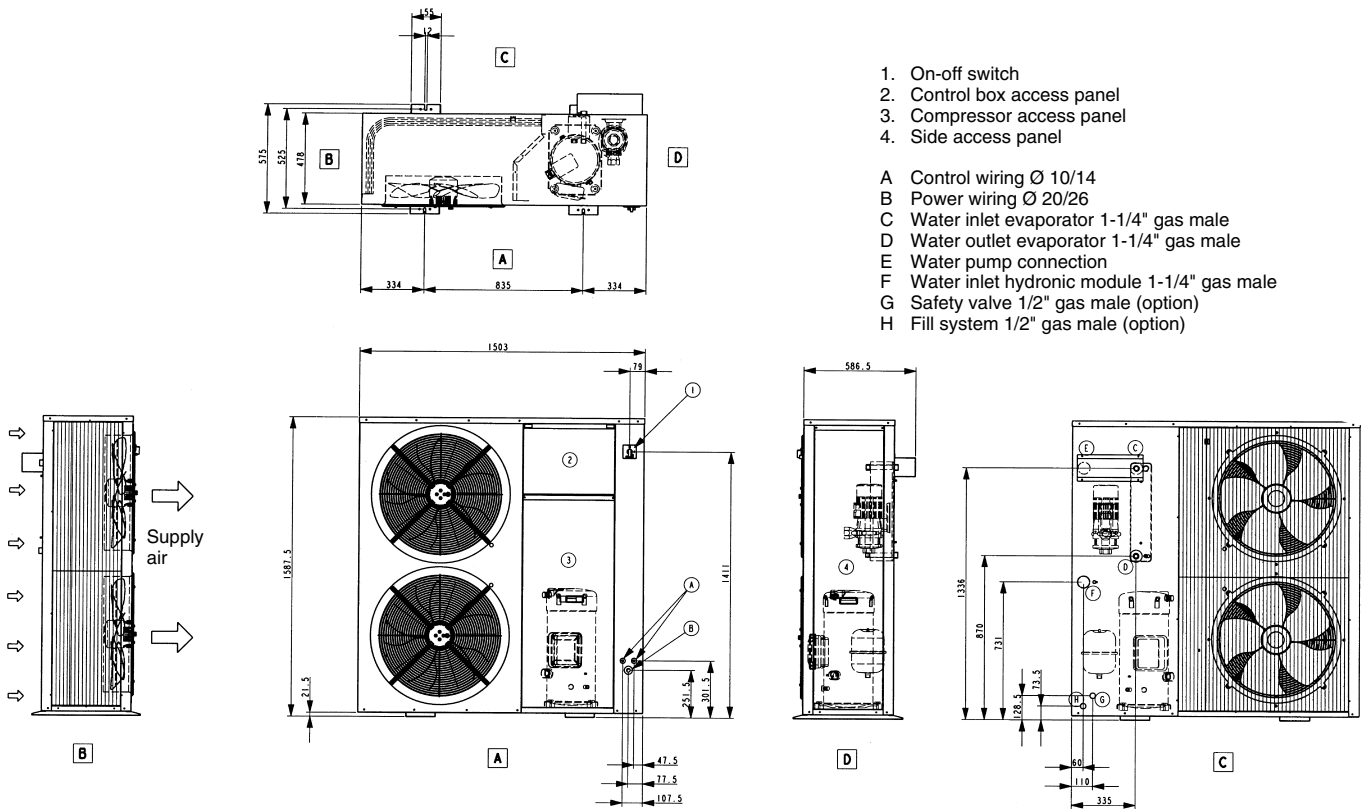


1. On-off switch
2. Control box access panel
3. Compressor access panel
4. Side access panel

- A Control wiring \varnothing 10/14
 B Power wiring \varnothing 20/26
 C Water inlet evaporator 1" gas male
 D Water outlet evaporator 1" gas male



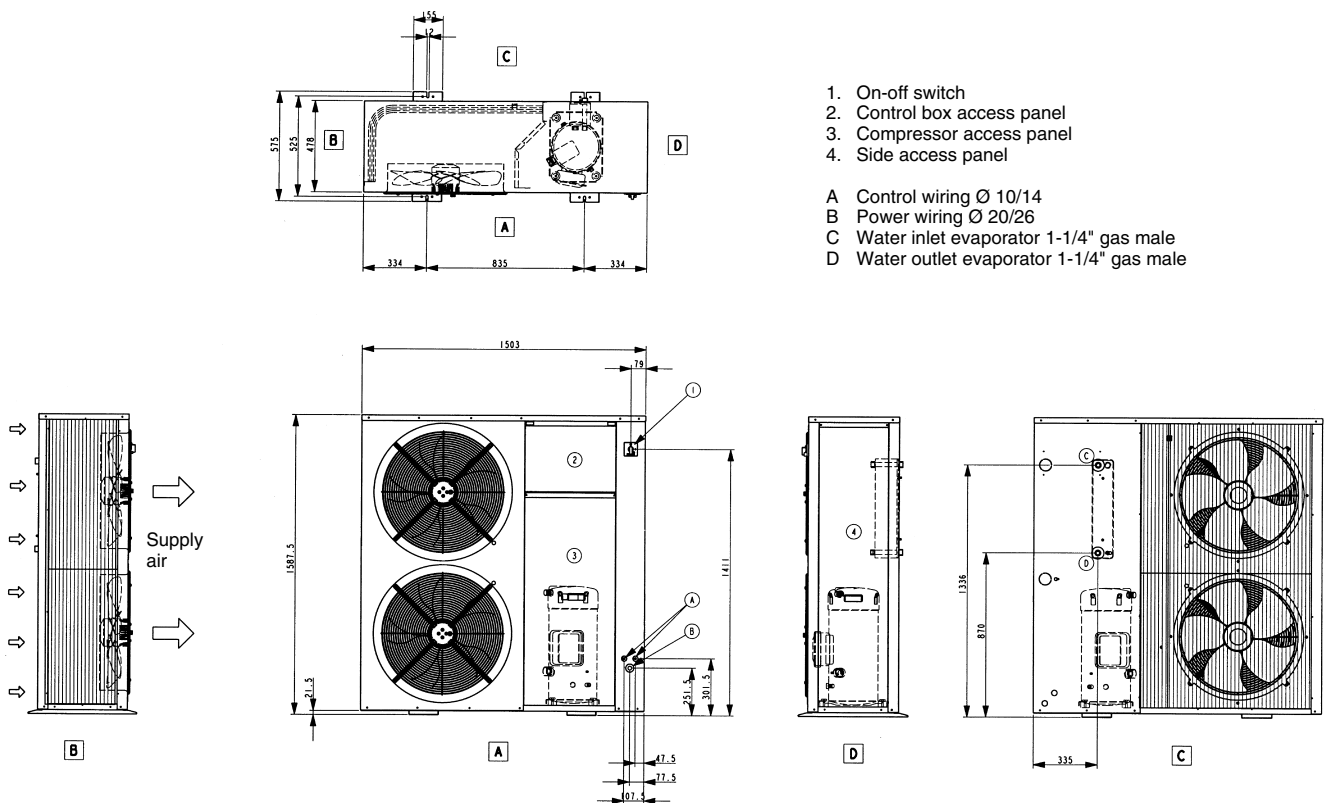
30RA 026-033 standard unit



1. On-off switch
2. Control box access panel
3. Compressor access panel
4. Side access panel

- A Control wiring \varnothing 10/14
 B Power wiring \varnothing 20/26
 C Water inlet evaporator 1-1/4" gas male
 D Water outlet evaporator 1-1/4" gas male
 E Water pump connection
 F Water inlet hydronic module 1-1/4" gas male
 G Safety valve 1/2" gas male (option)
 H Fill system 1/2" gas male (option)

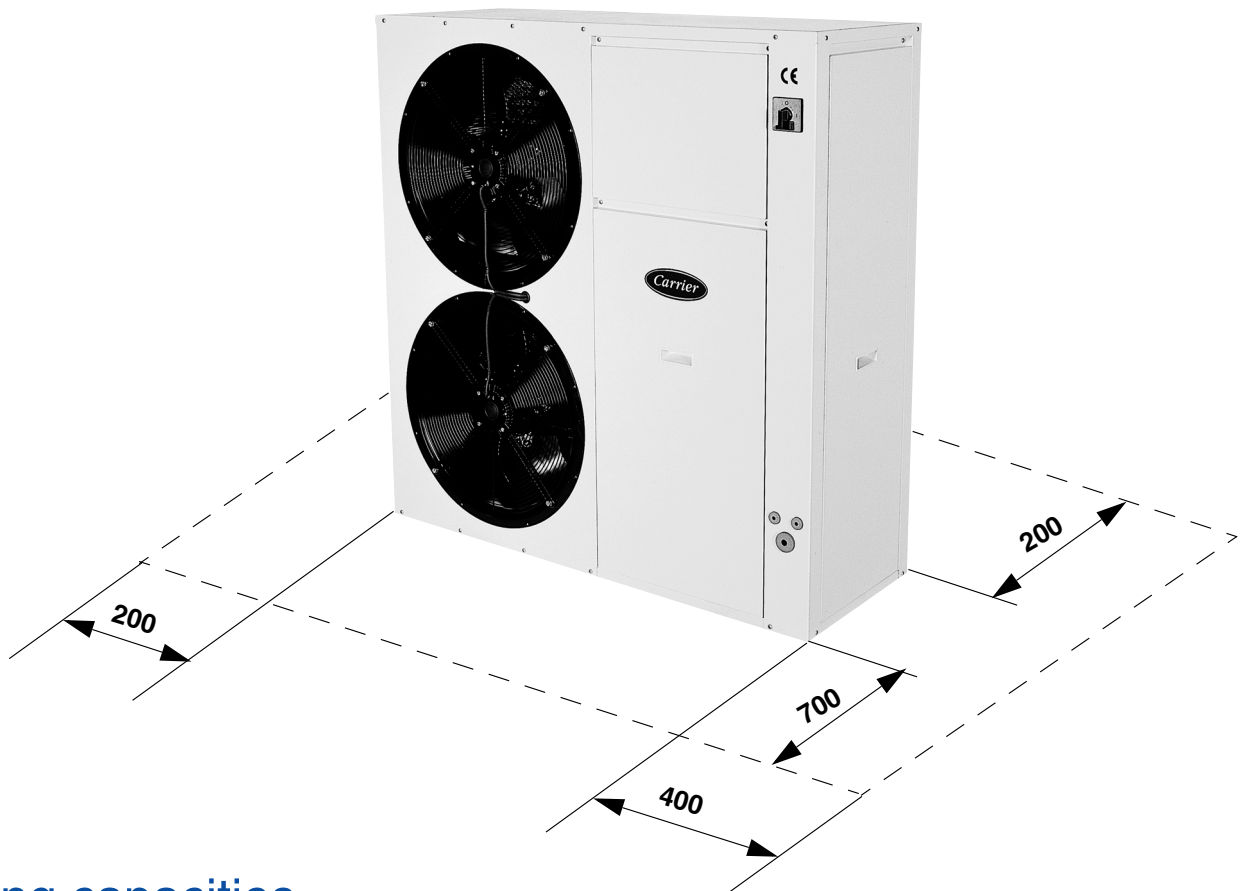
30RA 026-033 unit without hydronic kit



1. On-off switch
2. Control box access panel
3. Compressor access panel
4. Side access panel

- A Control wiring \varnothing 10/14
 B Power wiring \varnothing 20/26
 C Water inlet evaporator 1-1/4" gas male
 D Water outlet evaporator 1-1/4" gas male

Clearances, mm



Cooling capacities

| 30RA | | Condenser entering air temperature, °C | | | | | | | | | | | | | | | | | | | | | | | | |
|------------|----|--|-------|-------|--------|------|-------|-------|-------|--------|------|-------|-------|-------|--------|------|-------|-------|-------|--------|------|-------|-------|-------|--------|------|
| | | 25 | | | | | 30 | | | | | 35 | | | | | 40 | | | | | 45 | | | | |
| LCWT | °C | CAP | COMP | UNIT | Cooler | Pres | CAP | COMP | UNIT | Cooler | Pres | CAP | COMP | UNIT | Cooler | Pres | CAP | COMP | UNIT | Cooler | Pres | CAP | COMP | UNIT | Cooler | Pres |
| | | kW | kW | kW | l/s | kPa | kW | kW | kW | l/s | kPa | kW | kW | kW | l/s | kPa | kW | kW | kW | l/s | kPa | kW | kW | kW | l/s | kPa |
| 017 | 5 | 18.50 | 4.65 | 5.33 | 0.88 | 134 | 17.70 | 5.17 | 5.87 | 0.84 | 138 | 16.60 | 5.74 | 6.45 | 0.79 | 144 | 15.40 | 6.36 | 7.08 | 0.73 | 149 | 14.00 | 7.03 | 7.79 | 0.66 | 156 |
| 021 | | 22.40 | 6.18 | 7.16 | 1.08 | 121 | 21.40 | 6.80 | 7.81 | 1.03 | 127 | 20.20 | 7.48 | 8.54 | 0.97 | 134 | 18.90 | 8.21 | 9.32 | 0.91 | 141 | 17.50 | 8.99 | 10.15 | 0.84 | 147 |
| 026 | | 27.00 | 6.94 | 8.02 | 1.29 | 144 | 25.70 | 7.71 | 8.81 | 1.23 | 150 | 24.30 | 8.56 | 9.69 | 1.16 | 157 | 22.60 | 9.50 | 10.71 | 1.08 | 165 | 20.60 | 10.51 | 11.71 | 0.99 | 172 |
| 033 | | 34.80 | 9.44 | 10.46 | 1.66 | 125 | 32.40 | 10.29 | 11.26 | 1.55 | 136 | 29.80 | 11.27 | 12.25 | 1.43 | 145 | 27.30 | 12.35 | 13.35 | 1.30 | 155 | 24.70 | 13.53 | 14.64 | 1.18 | 164 |
| 017 | 6 | 19.00 | 4.66 | 5.34 | 0.90 | 131 | 18.20 | 5.19 | 5.88 | 0.86 | 135 | 17.10 | 5.76 | 6.46 | 0.81 | 140 | 15.90 | 6.39 | 7.10 | 0.76 | 147 | 14.50 | 7.06 | 7.81 | 0.69 | 154 |
| 021 | | 23.10 | 6.25 | 7.23 | 1.11 | 117 | 22.10 | 6.88 | 7.89 | 1.06 | 124 | 20.90 | 7.55 | 8.61 | 1.00 | 130 | 19.60 | 8.29 | 9.39 | 0.94 | 137 | 18.10 | 9.07 | 10.25 | 0.87 | 144 |
| 026 | | 27.80 | 6.96 | 8.03 | 1.33 | 140 | 26.60 | 7.74 | 8.83 | 1.27 | 146 | 25.00 | 8.60 | 9.73 | 1.20 | 153 | 23.30 | 9.54 | 10.71 | 1.12 | 162 | 21.30 | 10.61 | 11.81 | 1.02 | 170 |
| 033 | | 35.50 | 9.61 | 10.56 | 1.70 | 122 | 33.10 | 10.39 | 11.45 | 1.58 | 132 | 30.80 | 11.37 | 12.35 | 1.47 | 142 | 28.40 | 12.45 | 13.45 | 1.36 | 151 | 25.90 | 13.63 | 14.74 | 1.24 | 160 |
| 017 | 7 | 19.50 | 4.67 | 5.35 | 0.92 | 128 | 18.70 | 5.20 | 5.89 | 0.89 | 133 | 17.70 | 5.8 | 6.5 | 0.84 | 138 | 16.40 | 6.40 | 7.12 | 0.78 | 144 | 15.00 | 7.09 | 7.83 | 0.71 | 151 |
| 021 | | 23.80 | 6.31 | 7.31 | 1.14 | 112 | 22.80 | 6.94 | 7.96 | 1.09 | 120 | 21.60 | 7.6 | 8.7 | 1.03 | 126 | 20.20 | 8.35 | 9.47 | 0.97 | 133 | 18.80 | 9.14 | 10.25 | 0.90 | 141 |
| 026 | | 28.60 | 6.98 | 8.05 | 1.37 | 136 | 27.40 | 7.76 | 8.86 | 1.31 | 142 | 25.80 | 8.6 | 9.8 | 1.23 | 150 | 24.00 | 9.59 | 10.71 | 1.15 | 158 | 21.90 | 10.61 | 11.81 | 1.05 | 167 |
| 033 | | 36.20 | 9.76 | 10.76 | 1.73 | 118 | 33.90 | 10.59 | 11.55 | 1.62 | 128 | 31.70 | 11.5 | 12.6 | 1.51 | 138 | 29.40 | 12.55 | 13.55 | 1.41 | 147 | 27.20 | 13.72 | 14.84 | 1.30 | 156 |
| 017 | 8 | 20.00 | 4.68 | 5.36 | 0.95 | 125 | 19.20 | 5.22 | 5.90 | 0.91 | 130 | 18.20 | 5.80 | 6.49 | 0.86 | 135 | 17.00 | 6.43 | 7.14 | 0.81 | 142 | 15.60 | 7.12 | 7.85 | 0.74 | 149 |
| 021 | | 24.50 | 6.38 | 7.38 | 1.18 | 108 | 23.40 | 7.01 | 8.04 | 1.12 | 115 | 22.20 | 7.70 | 8.76 | 1.07 | 122 | 20.90 | 8.43 | 9.54 | 1.00 | 130 | 19.50 | 9.22 | 10.35 | 0.94 | 138 |
| 026 | | 29.50 | 6.99 | 8.07 | 1.41 | 131 | 28.20 | 7.79 | 8.89 | 1.35 | 138 | 26.60 | 8.67 | 9.80 | 1.27 | 146 | 24.70 | 9.64 | 10.81 | 1.18 | 155 | 22.60 | 10.70 | 11.91 | 1.08 | 165 |
| 033 | | 36.80 | 9.90 | 10.96 | 1.76 | 115 | 34.70 | 10.69 | 11.75 | 1.66 | 125 | 32.60 | 11.67 | 12.65 | 1.56 | 134 | 30.50 | 12.65 | 13.75 | 1.46 | 143 | 28.40 | 13.82 | 14.94 | 1.36 | 151 |
| 017 | 10 | 20.90 | 4.70 | 5.38 | 1.00 | 119 | 20.20 | 5.25 | 5.93 | 0.96 | 124 | 19.20 | 5.84 | 6.53 | 0.91 | 130 | 18.00 | 6.48 | 7.18 | 0.86 | 136 | 16.60 | 7.18 | 7.90 | 0.79 | 144 |
| 021 | | 25.90 | 6.51 | 7.54 | 1.25 | 99 | 24.80 | 7.15 | 8.19 | 1.19 | 106 | 23.60 | 7.84 | 8.92 | 1.13 | 115 | 22.30 | 8.58 | 9.70 | 1.07 | 122 | 20.80 | 9.37 | 10.55 | 1.00 | 131 |
| 026 | | 31.20 | 7.02 | 8.12 | 1.49 | 122 | 29.80 | 7.84 | 8.95 | 1.42 | 130 | 28.10 | 8.75 | 9.87 | 1.34 | 139 | 26.20 | 9.73 | 10.91 | 1.25 | 148 | 24.00 | 10.80 | 12.01 | 1.15 | 158 |
| 033 | | 38.10 | 10.29 | 11.35 | 1.82 | 109 | 36.30 | 10.98 | 12.05 | 1.74 | 118 | 34.50 | 11.86 | 12.95 | 1.65 | 126 | 32.60 | 12.84 | 13.94 | 1.56 | 134 | 30.80 | 14.02 | 15.14 | 1.47 | 142 |

Legend

- LWT** Leaving water temperature
- CAP kW** Net cooling capacity = gross cooling capacity plus the capacity corresponding to the available pressure (flow x pressure/0.3)
- COMP kW** Compressor power input
- UNIT kW** Unit power input (compressor, fans, control circuit and pumps) minus the power corresponding to the available pressure (flow x pressure/0.3)
- Cooler l/s** Water heat exchanger water flow rate
- Pres kPa** Available pressure at the unit outlet (unit with single-pump hydronic module)

Full load correction factors for Eurovent laboratory test:

- Net cooling capacity 1.00
- Energy efficiency ratio 1.00

Application data:

- Refrigerant: R-407C
- Evaporator temperature drop: 5 K
- Evaporator fluid: chilled water
- Fouling factor: 0.000044 m² K/W

The published performances are in accordance with EUROVENT tolerances:

- 5% for heating and cooling capacities
- +5% for power input
- +15% for the pressure drop

Capacity based on standard EUROVENT conditions



Order No. 13003-20, 06.02. Supersedes order No.: 13003-20, 11.01.
Manufacturer reserves the right to change any product specifications without notice.

Manufactured by: Carrier, Villasanta, Italy.
Printed on Totally Chlorine Free Paper.
Printed in the Netherlands.